



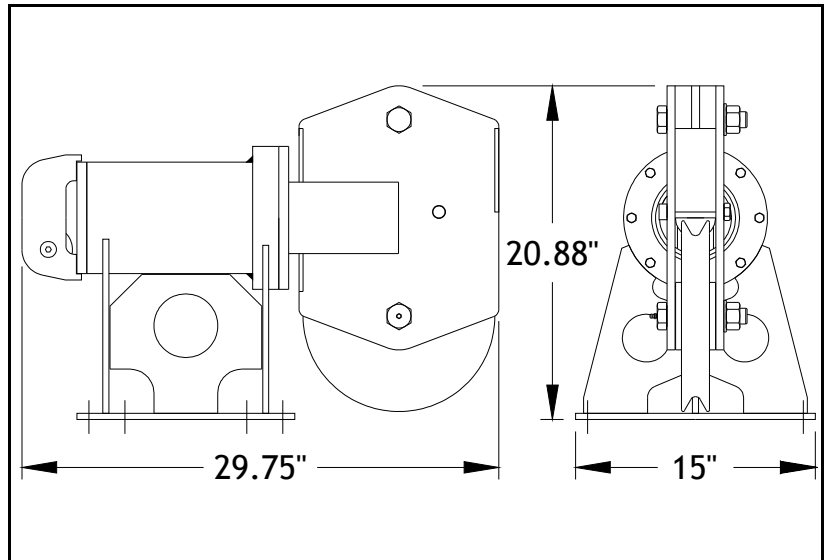
NOMAD fairleads in operation.

We developed the **NOMAD** fairlead to solve the problems created by the complex geometry of the dredge tail cable. The tail cable requires a guidance system that allows for 180 degrees of cable movement around the rear of the dredge. The **NOMAD** features a large sheave that guides the tail cable without excessive bending.

NOMAD features include:

- Anti-friction bearings.
- Large 12" OD sheave.
- 3/8" to 5/8" wire rope sizes.
- Mounting base.

Single aiming point for tail winch to maintain proper fleet angle and spooling on the winch drum.



NOMAD dimensions

TWINKLE CO

TWINKLE CO
 West Liberty, IA
 800 258 3702 • www.twinkleco.com