



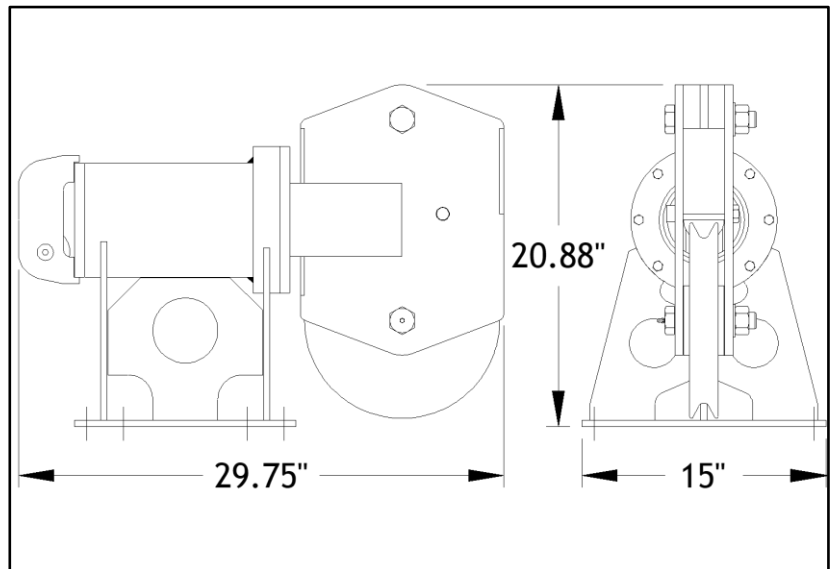
NOMAD fairleads in operation.

We developed the **NOMAD** fairlead to solve the problems created by the complex geometry of the dredge tail cable. The tail cable requires a guidance system that allows for 180 degrees of cable movement around the rear of the dredge. The **NOMAD** features a large sheave that guides the tail cable without excessive bending.

NOMAD features include:

- Anti-friction bearings.
- 12" OD sheave.
- 3/8" to 5/8" wire rope sizes.
- Mounting base.

Single aiming point for tail winch to maintain proper fleet angle and spooling on the winch drum.



NOMAD dimensions



nomad

TWINKLE CO
 West Liberty, IA
 319 627 6655 • twinkleco.com