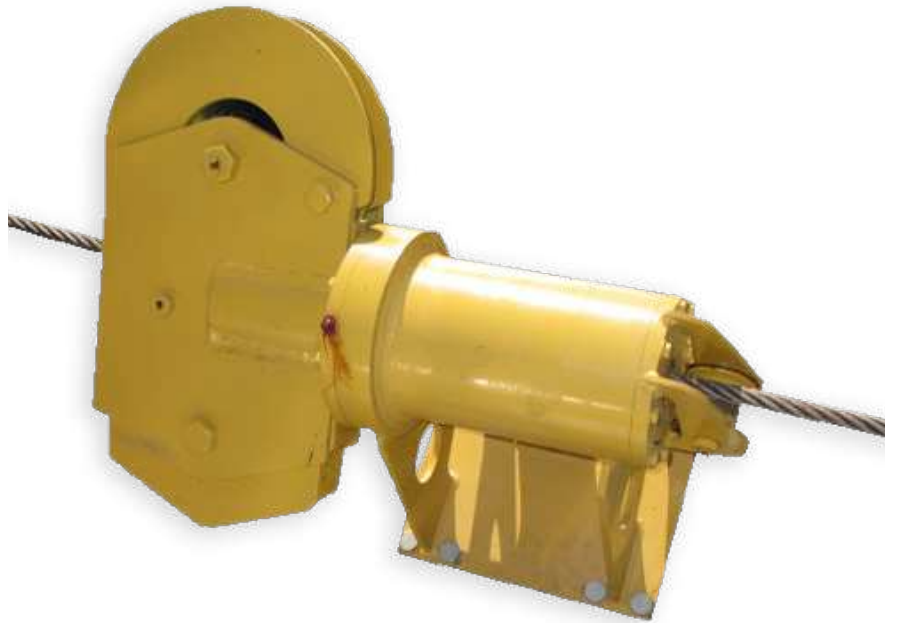


# TWINKLE CO

## NOMAD FAIRLEAD

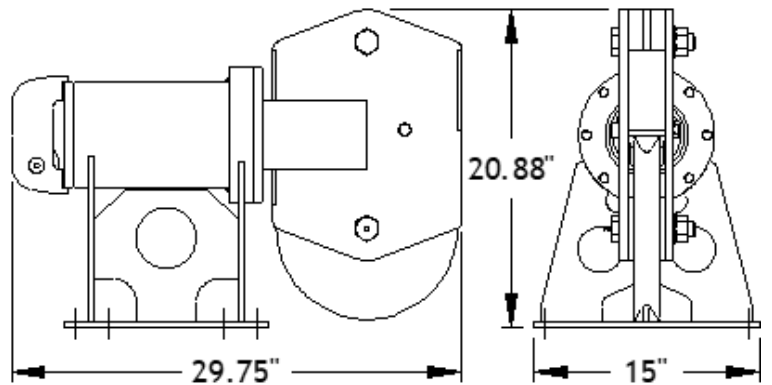


We developed the **NOMAD** fairlead to solve the problems created by the complex geometry of the dredge tail cable. The tail cable requires a guidance system that allows for 180 degrees of cable movement around the rear of the dredge. The **NOMAD** features a large sheave that guides the tail cable without excessive bending.



### NOMAD features include:

- Anti-friction bearings
- 12" OD sheave
- 3/8" to 3/4" wire rope sizes
- Mounting base
- Single aiming point for tail winch to maintain proper fleet angle and spooling on the winch drum



NOMAD dimensions

# TWINKLE CO